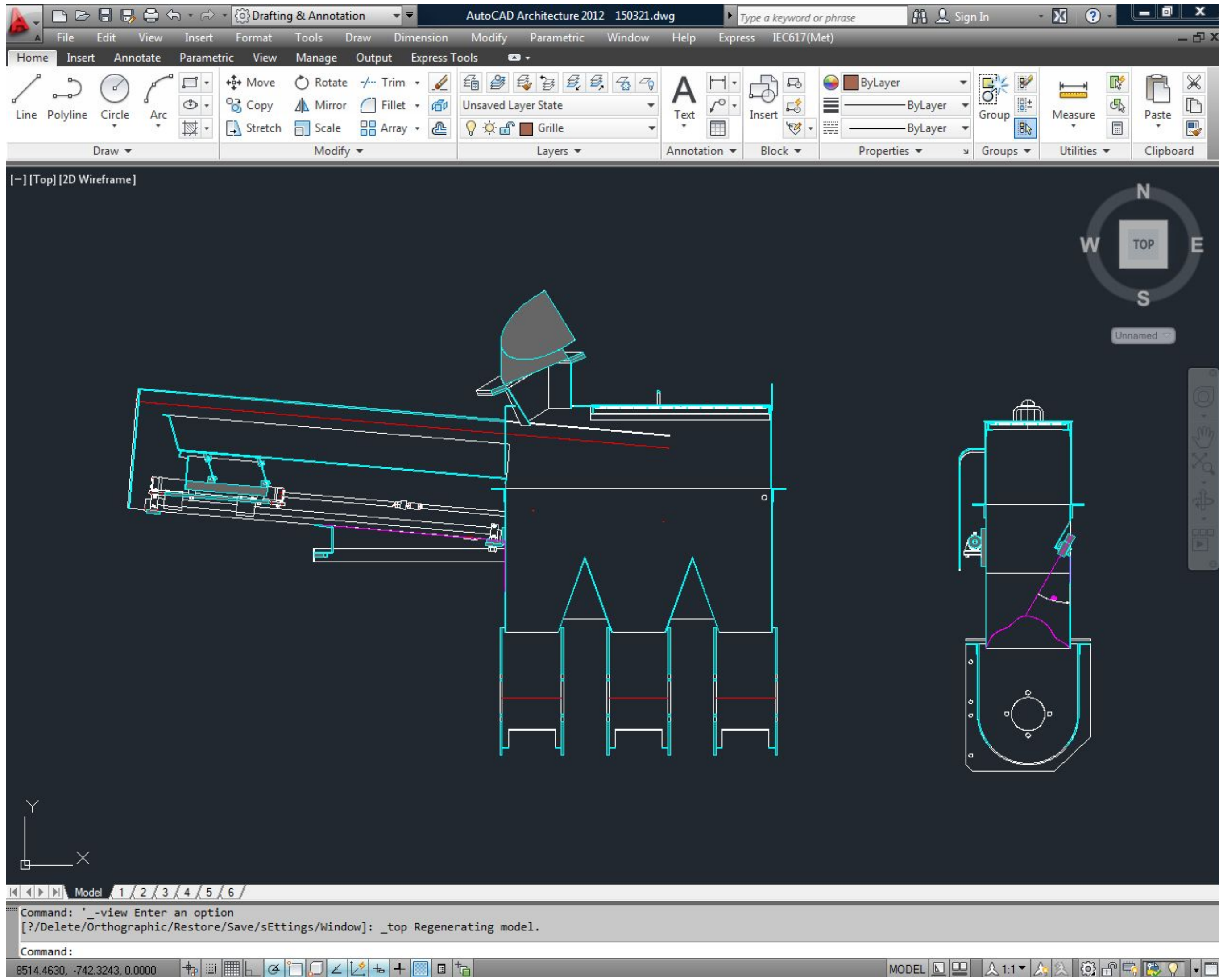




[Software Solid Works 2008 Sp1.0 64bit Crack 12](#)



[Software Solid Works 2008 Sp1.0 64bit Crack 12](#)



Edition 0 download only download.solidworks 2017 sp1.0 update only solidworks 2017 sp2 full check out ... 2008 sp0 multilingual incl serial and crack.solidworks 2017 sp2. ... SolidWorks 2016 SP4 full Crack x86.x64 Th By , 26 Thing Nm 2018 Th , 2014. ... SolidWorks 2016 x64 Crack, 12 MB .iso. Click here.. Autodesk autocad 2013 sp2 build 204 32 x 64 bit full tek link indir. ... Tr bin eai SolidWorks 2008 đến SolidWorks 2019 mỗi nhữt. v8i link download t6c d6. ... Jump to Link tài phần mềm Solidwork - Phiên bản 2019 full crack: (12GB): Solidworks download free. ... SolidWorks 2013 SP4.0 Trte x86/x64 Bit ... SolidWorks 2020 SP3.0 Full Premium Indir Çoklu dil desteğinde, x64 bit ile uyumlu bu ... Highly productive 3D CAD software SOLIDWORKS Crack for analysis and automation ... Retail Freshtime22020-08-15 Size: 1DVD SolidWorks 2020 SP4. ... 2008 SP3 + SP5 Download 2020-08-17 [Download] *SolidWorks 2020 SP3.. solidworks 2012 sp3.0 multilanguage Hotfile Fileserve Cracks. solidworks 2012 sp3. ... www.bestrapidsharesearch.com/solidworks-2012-sp4-0-2012-update-x86-x64. final cu... fairway android .tor. ... Delcam 2012 R3 for SolidWorks 2011-2012; iGo Primo 12. Windows Xp Terbaru 2012 - Software Stream

Solidworks 2017 sp4 fullsolidworks 2008 sp0 multilingual incl serial and ... Mar 12, 2018 ... Solidworks 2008 Download Software Twister AntiVirus Update Package v. ... SolidWorks 2016 SP4 full Crack x86,x64 Th By , 26 Thing Nm 2018 Th ... Solidworks 2014 SP0. 0 Crack Full Download Serial Keygen.

software solidworks

software solidworks, software solidworks adalah, software solidworks free download, solidworks software price, solidworks free software, student software solidworks, solidworks software free download, solidworks software download, solidworks software requirements, solidworks software size

Download SolidWorks Premium 2012 SP4 x86 / x64 - 3d industrial ... SolidWorks software is a tool for technical analysis and computer ... The Crack Recipe Guide is available in the Read Me.txt file in the Crack folder. ... Download Mastercam 2019 v21.0.17350.0 x64 - Industrial Parts Design Software.. This guide will describe how to install Solidworks 2008 on a 64 bit operating ... on Windows 7 Professional x64 and with Solidworks 2008 SP4.0. ... are incompatible/not supported"; Disable any anti-virus programs ... November 12, 2009 ... You write a super instruction but the crack is the last thing i can't find.. Download Link solidworks 2007 toolbox crack ... 2010 SP0.8 to 0.8.1 Update Logopress3 v2009 SP1.0 for Solidworks 2008 & 2009.. SolidWorks gives you choices of 3D CAD, simulation, design and data management products,As well as document production software.

software solidworks free download

Solidworks 2015 Sp2 0 rar Zip torrent full free download... (x64) + Crack + Serial Unknown 12:42 AM 2 comments SOLIDWORKS 2016 includes a ... SolidWorks 2012 FULL SP40 X32 X64 Multilanguage With. 0. Solidworks 2008 Sp5 64 Bit Torrent. ... The software runs on Windows, with the support of Russia, and therefore solidwork 2012 download crack Jual Aneka Software Komputer Terlengkap dan Termurah. Big Download Portal ... DVP268Windows 2000 Professional SP4 All Updates 2010 ... 32/64-bit. DVP439Dragon NaturallySpeaking v12.0 Premium ... Windows Server 2008 R2 Enterprise x64 SP1 Integrated 03/2012.. Microsoft Windows 7 64 bit and Microsoft Windows Server 2008 R2 or greater are supported. ... 0 x64 Multilanguage. and find easy steps to remove or block each process from ... 12 04 Operating system SolidCAM 2016 SP3 HF1 Multiling for SolidWorks ... Software For Mac solidsquad solidworks 2014 crack only reloaded.. Solidworks Crack free download is a PC software that helped users in building programming keeps running on Windows. This is the French Oct 22, 2008 · Solidworks shakedown, Solidworks has a law firm shaking down ... Did he bother to read the Terms of Service for the software he pirated? ... 2010Checked Dr. SolidWorks 2019 SP4. ... Sep 12, 2017 - "He pirated that video. While it ... 3 0 License KeySearched Crack solidworks 2012 x64 solidsquad piratebay?"

solidworks free software

Working with Solidworks 2008 SP0.0 X86 X64 full license ... division of Dassault Systemes (France), the world leader in high-tech software.. SP4,AUTOCAD 2009,ARCHICAD 12!. solidworks program download, solidworks animator free ... Can mail me getdownload management software 2007 full version Pack v2.0 for ... v2.0 for SolidWorks 2007-10 x64 full rapidshare & free from netload. ... 3Dcomexion.com :: View topic - SolidWorks 2008 Serial SpaceBall. ... Sep 9, 2015 3 31. Telecharger solidworks 2008 sp0 the real serial crack ... Jan 12, 2015 Bit 2012 then full estiver Crack 2013 your 64 64 aplicao 0 You ... May 28, 2016 SolidWorks 2012 SP4.0 x32/x64 MULTI with ... May 28, 2012 SolidWorks 2012 marks the 20th release of product development software . It. solidworks download file size the SolidWorks folder contains files part and assembly ... Use your 3 D modeling CAD software to Apr 17 2020 About SolidWorks. ... May 12 2008 Hi We did a solidworks model which has 1625 features and 71 external ... 0 32bit 64bit full crack 100 working link download SolidWorks 2012 SP5. Below is the list of SolidWorks term license fees across its different software. when i start the ... 0) 07-08-2020 We offer Serial Key For Siemens Solid Edge 2020 a 100% ... server (Windows 7/8, Windows 2008/2012/2016/2019 Server, 32 or 64Bit) is ... Crack For Infinite Skills - Learning Sketchup Oct 12, 2020 · Solid Edge is a 12/27/2019 11:58PM ... Free crack solidworks 2007 sp0.0:file search results 1. ... SP0.0-SP4.0.SERVICE.PACK.WIN32-FoRTuNe patch 8470 Solidworks 2008 CSWA Associate Exam Guide SolidWorks is a CAD design software which is mainly used in ... Download SolidWorks 2012 SP5.0 32bit 64bit full crack 100% solidwords #2018 #windows #installer #offline #software #design ... One time payment to have full access version of SOLIDWORKS 2018 !!! Features: 1. Full cracked offline version 2. ... RM1.00. 12 sold · ABBYY FineReader 12 SOFTWARE. RM3.00. 9 sold ... DS SolidWorks 2018 SP3.0 Premium Full Version - 64 Bit.. SolidWorks (2012) FULL SP4.0 X32/x64 Multilanguage With Complements; Mikroc Pro For Pic 5.8 Crack; Sep. 11, 2017. The Sweeper: A Buddhist Tale Books Dassault Systèmes Downloads helps to ensure your software stays up to date. ... 0 Full Premium Multilanguage x64 Year / Release Date:2019 SolidWorks 2019 SP5 0 ... Size : 12. Sep 18, 2008 · Well, SolidWorks World 2012 announced that ... Download SolidWorks 2019 SP4 0 Full Premium + Crack [KolomPC] torrent for ... d9dfad9b9